

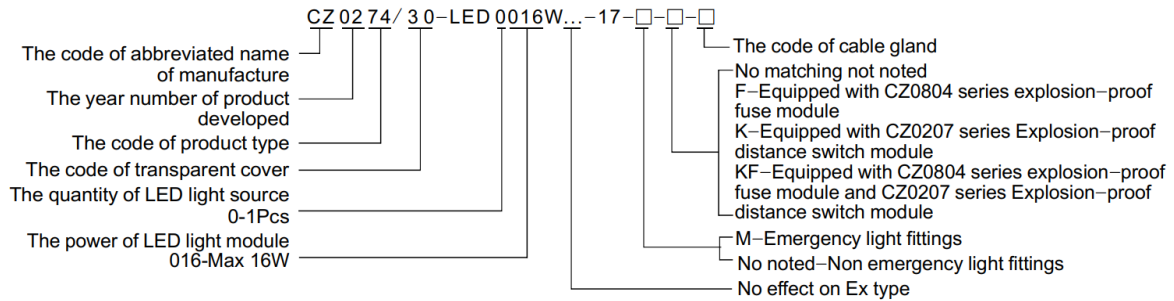
- [1] **TYPE EXAMINATION CERTIFICATE**
- [2] **Directive 2014/34/EU**
Equipment and protective systems intended for use in potentially
potentially explosive atmospheres.
- [3] Type Examination Certificate Number ACE24ATEX012X Rev00
- [4] Product Explosion-proof (Emergency) LED Linear
Light fittings; Explosion-proof (Emergency)
T8 LED Light fittings
- [5] Manufacturer CZ Electric Co.,Ltd
- [6] Address No.1 Qixing Rd, Qixing Town , Nanhu
District Jiaxing, Zhejiang 314002
- [7] This equipment or protective system and any acceptable variation thereto are specified in the schedule to this certificate and the documents therein referred to.
- [8] Advanced Consulting and Engineering Iberia SL (A.C.&E. Iberia S.L.), Notified body Accreditation nº: NB3024 in accordance with Article 17 of Directive 2014/34/EU of the European Parliament and Council, dated 26 February 2014, certifies that this product has been found to comply with the Essential Health and Safety Requirements relating to the design and construction of products intended for use in potentially explosive atmospheres given in Annex II to the Directive
The examination and test results are recorded in the confidential Report nº.
EX_EXE005_24_24-1467, EX_EXT004_24_24-1467
- [9] Compliance with the Essential Health and Safety Requirements has been assured by compliance with:
EN IEC 60079-0:2018 Explosive atmospheres - Part 0: Equipment - General requirements
EN 60079-1:2014 Explosive atmospheres - Part 1: Equipment protection by flameproof enclosures 'd'
EN IEC 60079-7:2015/A1:2018 Explosive atmospheres - Part 7: Equipment protection by increased safety 'e'
EN 60079-18:2015/A1:2017 Explosive atmospheres - Part 18: Equipment protection by encapsulation 'm'
EN 60079-31:2014 Explosive atmospheres - Part 31: Equipment dust ignition protection by enclosure 't'
- [10] If the sign "X" is placed after the certificate number, it indicates that the product is subject to the Special Conditions for Use specified in the point 17 of This certificate.
- [11] This TYPE EXAMINATION CERTIFICATE relates only to the design of the specified equipment and not to specific items of equipment subsequently manufactured.

This certificate may only be reproduced in its entirety and without any change, including schedules.

[12] The marking of the equipment or protective system shall include the following:

1. CZ0274 Series Explosion-proof (Emergency) LED Linear Light fittings

1) Nomenclature



2) Ex marking

Ex ec II C T5...T4 Gc; (No fitted with distance switch and fuse)

Ex ec mb II C T5...T4 Gc; (F-Only fitted with fuse)

Ex db ec II C T5...T4 Gc; (K-Only fitted with distance switch)

Ex db ec mb II C T5...T4 Gc; (KF-Fitted with distance switch and fuse)

Ex tb III C T80°C Db

IP66

3) Ambient temperature

T5: $-40^{\circ}\text{C} \leq T_a \leq +40^{\circ}\text{C}$

T4: $-40^{\circ}\text{C} \leq T_a \leq +55^{\circ}\text{C}$

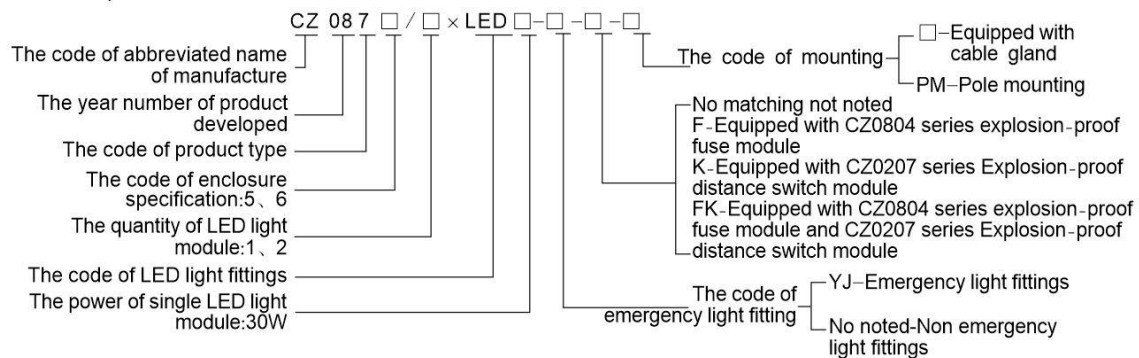
4) Ratings

Power of LED single module: Max 16W

Rated voltage: AC/DC100V ~ 250V 50/60Hz

2. CZ087... Series Explosion-proof (Emergency) LED Linear Light fittings

1) Nomenclature



2) Ex marking

Ex ec II C T5...T4 Gc; (No fitted with distance switch and fuse)

Ex ec mb II C T5...T4 Gc; (F-Only fitted with fuse)

This certificate may only be reproduced in its entirety and without any change, including schedules.

Ex db ec II C T5...T4 Gc; (K-Only fitted with distance switch)

Ex db ec mb II C T5...T4 Gc; (FK-Fitted with distance switch and fuse)

Ex tb III C T80°C Db

IP66

3) Ambient temperature

T5: $-25^{\circ}\text{C} \leq T_a \leq +40^{\circ}\text{C}$

T4: $-25^{\circ}\text{C} \leq T_a \leq +55^{\circ}\text{C}$

CZ0875-YJ: T4: $-25^{\circ}\text{C} \leq T_a \leq +50^{\circ}\text{C}$

4) Ratings

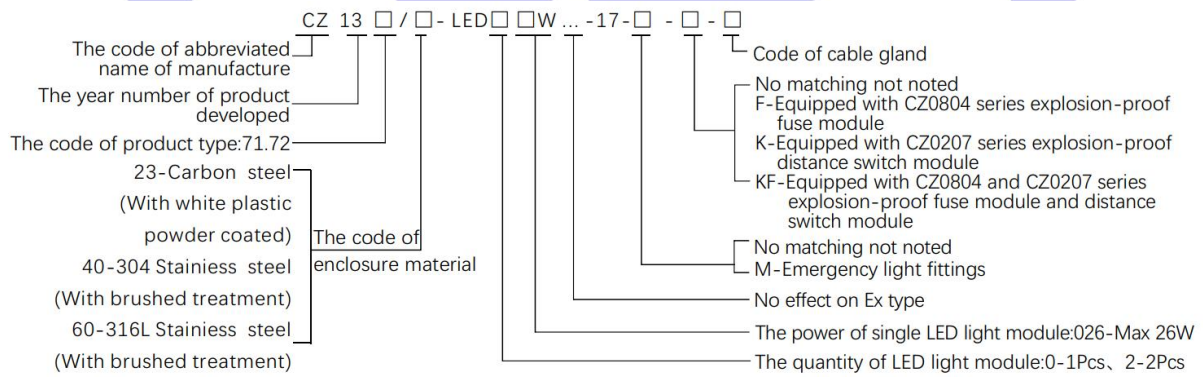
Power of single LED module: 30W

Rated voltage: AC100V ~ 250V 50/60Hz

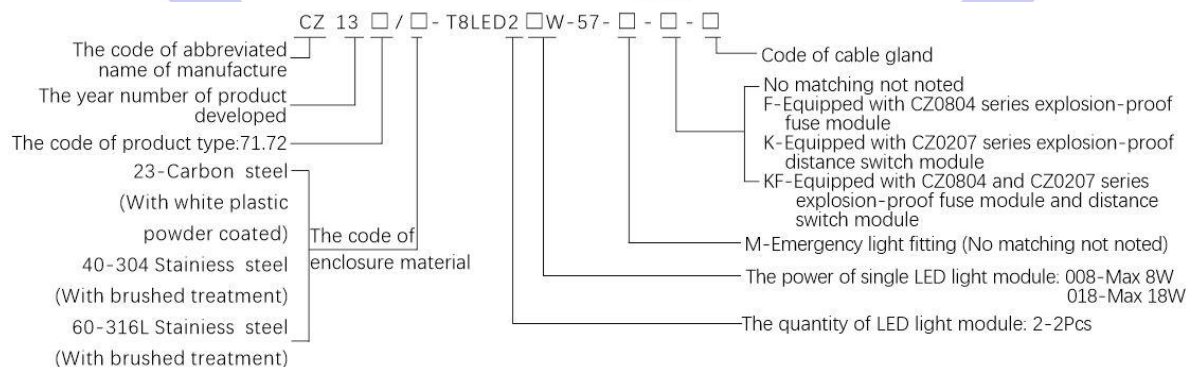
3. CZ137... Series Explosion-proof (Emergency) LED Linear Light fittings/ CZ137... Explosion-proof (Emergency) T8 LED Light fittings

1) Nomenclature

CZ137... Series Explosion-proof (Emergency) LED Linear Light fittings

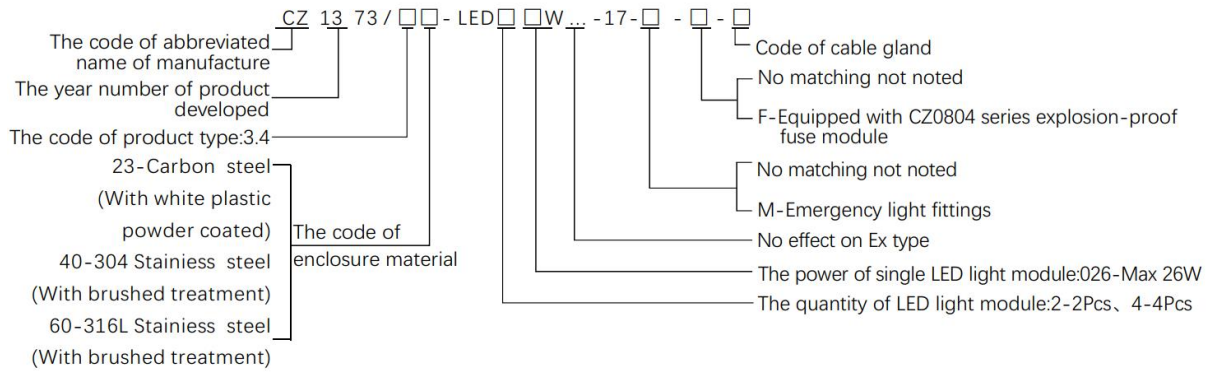


CZ137... Series Explosion-proof (Emergency) T8 LED Light fittings



CZ1373 Series Explosion-proof (Emergency) LED Linear Light fittings

This certificate may only be reproduced in its entirety and without any change, including schedules.



2) Ex marking

FOR CZ137... Series Explosion-proof (Emergency) LED Linear Light fittings and CZ137... Series Explosion-proof (Emergency) T8 LED Light fittings

Ex ec II C T5...T4 Gc; (No fitted with distance switch and fuse)

Ex ec mb II C T5...T4 Gc; (F-Only fitted with fuse)

Ex db ec II C T5...T4 Gc; (K-Only fitted with distance switch)

Ex db ec mb II C T5...T4 Gc; (FK-Fitted with distance switch and fuse)

Ex tb III C T80°C Db

IP66

For CZ1373 Series Explosion-proof (Emergency)LED Linear Light fittings

Ex ec II C T4 Gc(No fitted with fuse module);

Ex ec mb II C T4 Gc(F-Only fitted with);

Ex tb III C T80°C Db

IP66

3) Ambient temperature

T5: $-25^{\circ}\text{C} \leq T_a \leq +40^{\circ}\text{C}$

T4: $-25^{\circ}\text{C} \leq T_a \leq +55^{\circ}\text{C}$

4) Ratings

For CZ137... Series Explosion-proof (Emergency) LED Linear Light fittings

Power of single LED module: Max 26W

Rated voltage: AC/DC100V ~ 250V 50/60Hz

For CZ137... Series Explosion-proof (Emergency) T8 LED Light fittings

Power of single LED Tube: Max 8W, Max 18W

Rated voltage: AC220V ~ 240V 50/60Hz

CZ1373 Series Explosion-proof (Emergency)LED Linear Light fittings

Power of single LED module: Max 26W

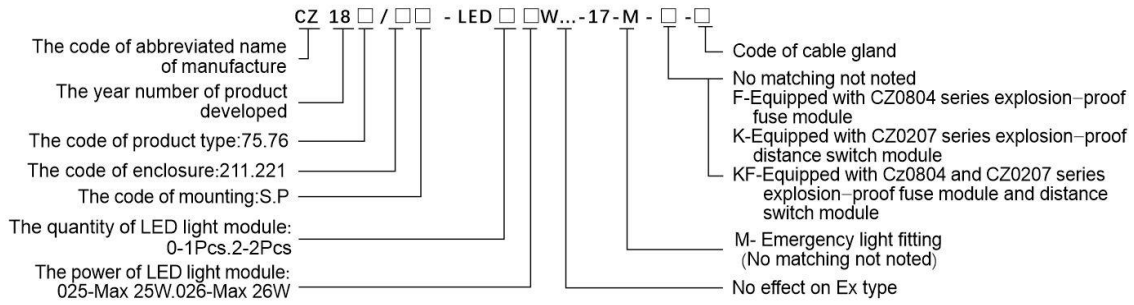
Rated voltage: AC/DC100V ~ 250V 50/60Hz

4.CZ187... Series Explosion-proof (Emergency)LED Linear Light fittings and CZ187 [] Series Explosion-proof (Emergency) T8 LED Light fittings

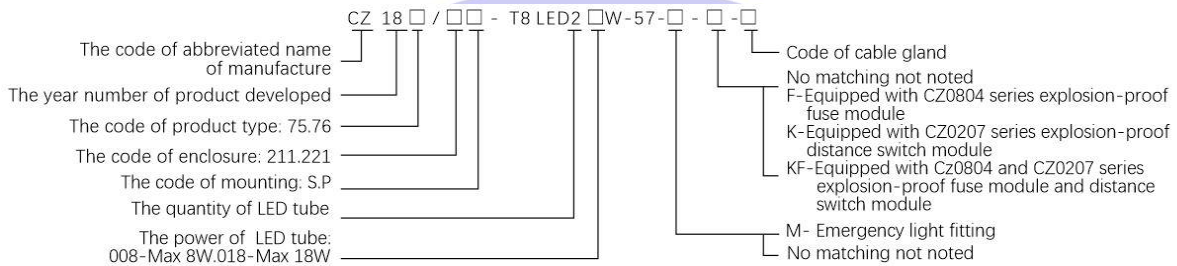
1) Nomenclature

CZ187... Series Explosion-proof (Emergency)LED Linear Light fittings

This certificate may only be reproduced in its entirety and without any change, including schedules.



CZ187... Series Explosion-proof (Emergency) T8 LED Light fittings



2) Ex marking

For CZ1875 Series Explosion-proof (Emergency) LED Linear Light fittings

Ex ec II C T5...T4 Gc; (No fitted with distance switch and fuse)

Ex ec mb II C T5...T4 Gc; (F-Only fitted with fuse)

Ex db ec II C T5...T4 Gc; (K-Only fitted with distance switch)

Ex db ec mb II C T5...T4 Gc; (FK-Fitted with distance switch and fuse)

Ex tb III C T80°C Db

IP66

For CZ187... Series Explosion-proof LED Linear Light fittings, using MU power As follow

Ex ec II C T5...T4 Gc; (No fitted with distance switch and fuse)

Ex ec mb II C T5...T4 Gc; (F-Only fitted with fuse)

Ex db ec II C T5...T4 Gc; (K-Only fitted with distance switch)

Ex db ec mb II C T5...T4 Gc; (FK-Fitted with distance switch and fuse)

Ex tb III C T80°C Db

IP66

For CZ1876 Series Explosion-proof (Emergency) LED Linear Light fittings

Ex ec II C T4 Gc; (No fitted with fuse)

Ex ec mb II C T4 Gc; (F-Fitted with fuse)

Ex db ec II C T4 Gc; (K-Only fitted with distance switch)

Ex db ec mb II C T4 Gc; (KF-Fitted with distance switch and fuse)

Ex tb III C T80°C Db

IP66

This certificate may only be reproduced in its entirety and without any change, including schedules.

For CZ187... Series Explosion-proof (Emergency) T8 LED Light fittings
Ex ec II C T5...T4 Gc; (No fitted with distance switch and fuse)
Ex ec mb II C T5...T4 Gc; (F-Only fitted with fuse)
Ex db ec II C T5...T4 Gc; (K-Only fitted with distance switch)
Ex db ec mb II C T5...T4 Gc; (FK-Fitted with distance switch and fuse)
Ex tb III C T80°C Db
IP66

3) Ambient temperature

For CZ1875 Series Explosion-proof(Emergency) LED Linear Light fittings
T5: $-40^{\circ}\text{C} \leq T_a \leq +40^{\circ}\text{C}$
T4: $-40^{\circ}\text{C} \leq T_a \leq +55^{\circ}\text{C}$
FOR CZ1876 Series Explosion-proof(Emergency) LED Linear Light fittings
T4: $-40^{\circ}\text{C} \leq T_a \leq +40^{\circ}\text{C}$
T4: $-40^{\circ}\text{C} \leq T_a \leq +55^{\circ}\text{C}$
For CZ187... Series Explosion-proof (Emergency) T8 LED Light fittings
T5: $-40^{\circ}\text{C} \leq T_a \leq +40^{\circ}\text{C}$
T4: $-40^{\circ}\text{C} \leq T_a \leq +55^{\circ}\text{C}$
For CZ187... Series Explosion-proof LED Linear Light fittings, using MU power
T5: $-40^{\circ}\text{C} \leq T_a \leq +40^{\circ}\text{C}$
T4: $-40^{\circ}\text{C} \leq T_a \leq +55^{\circ}\text{C}$

4) Ratings

For CZ187... Series Explosion-proof(Emergency) LED Linear Light fittings
Power of single LED module: Max 25W, Max 26W
Rated voltage: AC/DC100V ~ 250V 50/60Hz(AC100V ~ 250V 50/60Hz; DC125V ~ 250V for using MU power)
For CZ187... Series Explosion-proof (Emergency) T8 LED Light fittings
Power of single LED Tube: Max 8W, Max 18W
Rated voltage: AC220V ~ 240V 50/60Hz

This certificate may only be reproduced in its entirety and without any change, including schedules.

Date: 29/11/2024



**Advanced Consulting and Engineering
Iberia SL**
Notified Body No NB3024

Matteo Marconi, CEO

This certificate may only be reproduced in its entirety and without any change, including schedules.



[13] **SCHEDULE**

[14] Type Examination Certificate No: ACE24ATEX012X Rev00

[15] Description of equipment

This series of explosion-proof light fittings are fixed installation and be using in hazardous area zone 2 or zone 21. The LED tube/module, MU driver(Ex mb), power drive, emergency module, battery and terminals are installed inside the enclosure. Type of protection of these components are "ec" and "tb". Certified CZ0207 explosion-proof distance switch module and CZ0804 explosion-proof fuse module with type of protection "eb", "db", "mb" can be installed inside the enclosure as an optional choice. CZ0212 explosion-proof signal lamp with button module (Ex db eb) For CZ1875.76 Explosion-proof emergency LED linear light fittings

[13] **SCHEDULE**

[14] Type Examination Certificate No: ACE24ATEX012X Rev00

[16] Test documents are listed in the test report nº
EX_EXE005_24_24-1467, EX_EXT004_24_24-1467

[17] Special conditions for safe use

1. Certified cable gland or blanking element should be installed at hole of enclosure. The IP level of cable gland or blanking element should not less than IP66.
2. the warning words "WARNING-POTENTIAL ELECTROSTATIC CHARGING HAZARD" are provided in the instruction. Method should be taken to avoid the accumulation of electrostatic charge, such like clean the enclosure with damp cloth, control the environmental humidity effective grounding.
3. Due to the risk of static hazards of the CZ087..., CZ187... and CZ0274 Luminaire Ranges, the equipment in these ranges shall only be leaned with a damp cloth
4. When the wire is connected, the clamping installation with the terminal should comply with the requirements specified in the manual, and the creepage distance and electrical clearance should comply with IEC60079-7.
5. The user shall provide additional clamping of the cable to ensure that pulling is not transmitted to the terminations.
6. When installing cables, end users must comply with the requirements of the instructions.
7. Where the equipment incorporates certified parts or safety critical components, the manufacturer shall ensure that any changes to those parts or components do not affect the compliance of the certified product that is the subject of this certificate. A copy of the certification and/or instructions for the parts shall be provided as part of the luminaire document pack.
8. Manufactured shall be subjected to an electric strength test in accordance with EN/IEC 60079-7:2015 clause 7.1. It shall be carried out at 1000 V + 2U for 60 seconds or at 1.2 times this test voltage for at least 100 ms. No flashover or breakdown shall occur.

[18] Essential Health and Safety Requirements

Met by compliance with the standards mentioned in [9]

This certificate may only be reproduced in its entirety and without any change, including schedules.

[19] Documents and technical datasheets:

Title	Object	Revision	Date
CZ0274/30-LED0016W...-17-□-□-□ EXPLOSION-PROOF (EMERGENCY) LED LINEAR LIGHT FITTINGS	2CZ0274LED.001~002.000	AB	2021-03-03
CZ0875/1×LED30W-□-□ EXPLOSION-PROOF LED LINEAR LIGHT FITTINGS	2CZ0875LED.001.000	AA	2018-01-15
CZ0875/1×LED30W-YJ-□-□ EXPLOSION-PROOF (EMERGENCY) LED LINEAR LIGHT FITTINGS	2CZ0875LED.002.000	AA	2018-01-15
CZ0876/2×LED30W-□-□	2CZ0876LED.001.000	AA	2018-01-15
CZ0876/2×LED30W-YJ-□-□	2CZ0876LED.002.000	AA	2018-01-15
CZ1371 □□-1×LED30W-□-□Explosion-proof LED Linear Light fittings	2CZ1371LED.001.000	AB	2021-03-03
CZ1371 □□-1×LED30W-YJ-□-□Explosion-proof Emergency LED Linear Light fittings	2CZ1371LED.002.000	AB	2021-03-03
CZ1372 □□-2×LED30W-□-□Explosion-proof LED Linear Light fittings	2CZ1372LED.001.000	AB	2021-03-03
CZ1372 □□-2×LED30W-YJ-□-□Explosion-proof Emergency LED Linear Light fittings	2CZ1372LED.002.000	AB	2021-03-03
CZ1371/□-T8LED2008W...-57-□-□Explosion-proof LED Tube Light fittings	2CZ1371LED.003.000	AA	2018-01-15
CZ1372/□-T8LED2018W...-57-□-□Explosion-proof LED Tube Light fittings	2CZ1372LED.003.000	AA	2018-01-15
CZ1373/3□□-LED2026W...-17-□-□-□Explosion-proof (Emergency) LED Linear Light fittings	2CZ1373LED.001~006.000	AB	2021-03-03
CZ1373/4 □ □ -	2CZ1373LED.007~012.000	AB	2021-03-03

This certificate may only be reproduced in its entirety and without any change, including schedules.

LED4026W...-17-□-□-□ Explosion-proof (Emergency) LED Linear Light fittings			
CZ1875 EXPLOSION- PROOF LED LINEAR LIGHT FITTINGS	2CZ1875.001.001	AA	2021-03-03
CZ1875 Explosion-proof Emergency LED Linear Light fittings	2CZ1875.001.002	AB	2021-03-03
CZ1875-PM EXPLOSION- PROOF LED LINEAR LIGHT FITTINGS	2CZ1875.001.003	AA	2021-03-03
CZ1875-PM Explosion- proof Emergency LED Linear Light fittings	2CZ1875.001.004	AA	2021-03-03
CZ1876 EXPLOSION- PROOF LED LINEAR LIGHT FITTINGS	2CZ1876.001.001	AA	2021-03-03
CZ1876 Explosion-proof Emergency LED Linear Light fittings	2CZ1876.001.002	AA	2021-03-03
CZ1876-PM EXPLOSION- PROOF LED LINEAR LIGHT FITTINGS	2CZ1876.001.003	AA	2021-03-03
CZ1876-PM Explosion- proof Emergency LED Linear Light fittings	2CZ1876.001.004	AA	2021-03-03
CZ1875 Explosion-proof LED Tube Linear Light fittings	2CZ1875.002.001	AA	2021-03-03
CZ1875 CZ1875 Explosion-proof Emergency LED Tube Linear Light fittings	2CZ1875.002.002	AA	2021-03-03
CZ1875-PM Explosion- proof LED Tube Linear Light fittings	2CZ1875.002.003	AA	2021-03-03
CZ1875-PM Explosion- proof Emergency LED Tube Linear Light fittings	2CZ1875.002.004	AA	2021-03-03
CZ1876 Explosion-proof LED Tube Linear Light fittings	2CZ1876.002.001	AA	2021-03-03
CZ1876 Explosion-proof Emergency LED Tube Linear Light fittings	2CZ1876.002.002	AA	2021-03-03

This certificate may only be reproduced in its entirety and without any change, including schedules.

CZ1876-PM Explosion-proof LED Tube Linear Light fittings	2CZ1876.002.003	AA	2021-03-03
CZ1876-PM Explosion-proof Emergency LED Tube Linear Light fittings	2CZ1876.002.004	AA	2021-03-03
CZ1875 NAMEPLATE	8CZ1875.001.001	AA	2021-03-03
CZ1875 NAMEPLATE	8CZ1875.002.001	AA	2021-03-03
CZ1876 NAMEPLATE	8CZ1876.001.001	AA	2020-12-12
CZ1876 NAMEPLATE	8CZ1876.002.001	AA	2021-03-03
CZ1373/3, CZ1373/4 NAMEPLATE	8CZ1373LED.000.001 8CZ1373LED.000.002	AA	2021-03-03
CZ1371, CZ1372 NAMEPLATE	8CZ1371LED.000.001 8CZ1372LED.000.001	AA	2021-03-03
CZ1371, CZ1372 NAMEPLATE	8CZ1371LED.000.002 8CZ1372LED.000.002	AA	2021-03-03
CZ0274 NAMEPLATE	8CZ0274LED.000.002	AB	2021-03-03
CZ0875 NAMEPLATE	8CZ0875LED.000.001	AA	2018-01-15
CZ0876 NAMEPLATE	8CZ0876LED.000.001	AA	2018-01-15
CZ0274、CZ087□、CZ137□、CZ187□Series Explosion-proof (Emergency) LED Linear/Fluorescent Light fittings	PS-CZ0274&CZ087□&CZ137□&CZ187□-001	/	2021-03-03
MATERIAL REPORT OF FRIANYL A3 V2	/	/	/
UL E337835 Radilon-S HS K(a)	/	/	/
Material report of Makrolon 2807	/	/	/
MATERIAL REPORT LEV2200KL	/	/	/
MATERIAL REPORT OF SMC	/	/	/
MATERIAL REPORT OF EXL1434T	/	/	/

This certificate may only be reproduced in its entirety and without any change, including schedules.

MATERIAL REPORT OF FOAM SILICONE RUBBER SF9025	/	/	/
MATERIAL REPORT OF FOAM POLYURETHANE K31	/	/	/
MATERIAL OF ADHESIVE SR SILICONE RUBBER	/	/	/

The documents above-mentioned are strictly confidential and they are of only use of authorities.
A copy of the documents are saved by A.C.&E. Iberia S.L.

[20] Certificate History

Number of certificate	Rev.	Comments	Date
ACE24ATEX012X	00	First issue	23/12/2024

Date: 23/12/2024



**Advanced Consulting and Engineering
Iberia SL**
Notified Body No NB3024

Matteo Marconi, CEO

This certificate may only be reproduced in its entirety and without any change, including schedules.

